

Torsion-Trip V-PLOW

9400 series



LED Blaze Bar lights with SmartHeat technology come standard.

Moldboards flare out from 30 inches high at center to 37 inches (8 1/2' plow) or 38 inches (9 1/2' plow). The high curve corrosion-proof and dent-resistant HDPE plow surface reduces friction for better snow flow resulting in more efficient plowing. Optional rubber or polyethylene snow deflectors available.

Wrap-around curb guards with chrome-alloy wear-bars provide protection from premature wear and damage.

Chrome-alloy wear-bars for extended cutting edge life.



Solid Performance in a Torsion Trip-Edge Plow



Top-quality design, construction, and components in a contractor-duty plow.

Double-acting hydraulic cylinders hold wings securely in position, even while backdragging.

Simple, reliable torsion-trip edge provides independent protection to each plow wing.

The Hiniker 9400 Series Torsion-Trip V-Plows offer the versatility that only a V-Plow can, along with the strength and operator convenience that you've come to expect from Hiniker. Deep-curl flared wings cast deep snow farther and higher, while providing more scoop capacity than ever.

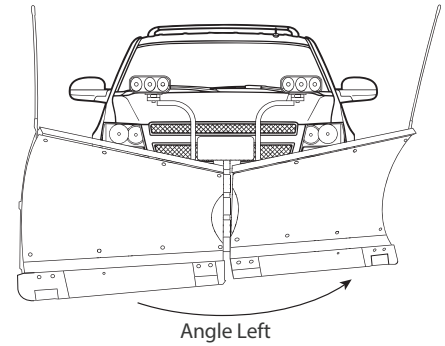
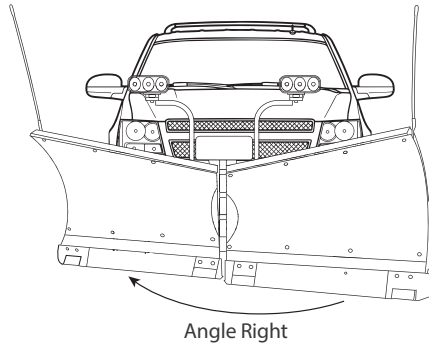
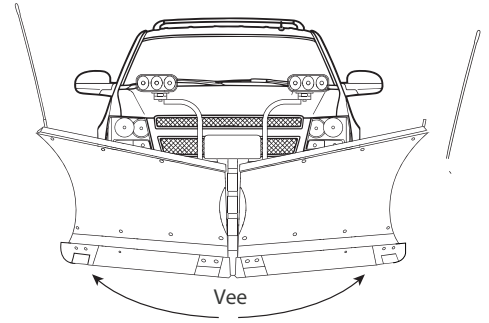
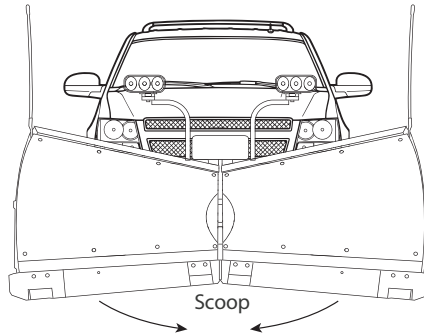
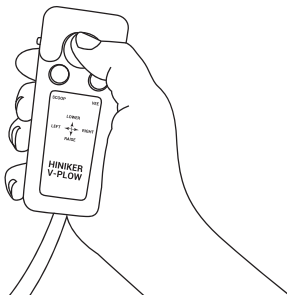
Torsion-Trip V-Plow

9400 Series



Convenient Command of all V-plow functions:

- Scoop
- Vee
- Angle Right
- Angle Left
- Raise and Lower



- Available in 8.5 and 9.5 ft. widths.
- Customizable with optional skid shoes, box end wings, and snow deflectors.



One pass plowing . . . no problem! Hiniker's pitch adjustment levels the blade to assure full ground contact for optimum cleaning efficiency.



High-performance power unit provides quick response & long-term reliability.

Specifications:

MODEL	9485	9495	9862	9962	9610	
Blade Width	8 1/2'	9 1/2'	8 1/2'	9 1/2'	10'	
Cutting Widths	V-Position	93"	103"	93"	108"	
	Scoop	84"	94"	83"	94"	
	Straight	102"	114"	102"	114"	120"
	30° Angle	88"	99"	88"	99"	104"
Moldboard Height	30-37"	30-38"	30-37"	30-38"	35-45"	
Moldboard Surface	1/4" HMW poly		1/4" HMW poly		1/4" HMW poly	
Trip Springs	6 Torsion Springs		4 Compression Springs		4 Compression Springs	
Weight (Net of Truck Mounted Hardware)	772 lb.	805 lb.	841 lb.	887 lb.	1007 lb.	