

# Torsion-Trip Scoop Plow

6000 series



LED Blaze Bar with SmartHeat technology comes standard.

1/4-inch thick HMW low-friction polyethylene moldboard never needs refinishing.

Simple, reliable torsion-trip edge provides independent protection to each plow section.



Hydraulic scissors lift cuts transport bounce, eliminates chains.

Horizontal-truss moldboard frame provides exceptional resistance to bending and twisting.

Cast iron skid shoes are available as optional equipment.

## The ULTIMATE Parking Lot Plow

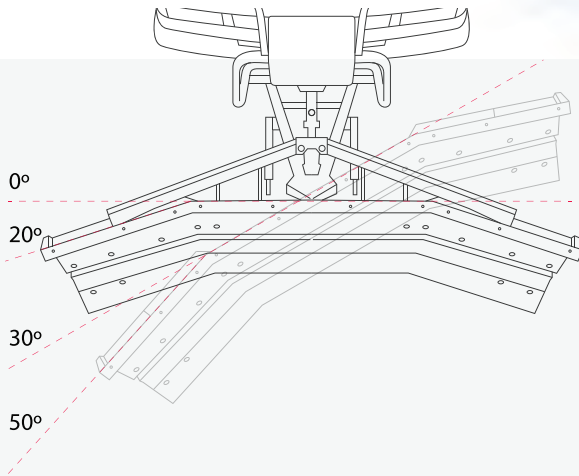
Move snow more efficiently with a Hiniker trip-edge Scoop plow. The unique concave shape captures snow, providing greater capacity, less spillage, and faster, more efficient clean-up—plus the protection of a full width, three-section, high-clearance trip-edge.

# Torsion-Trip Scoop Plow

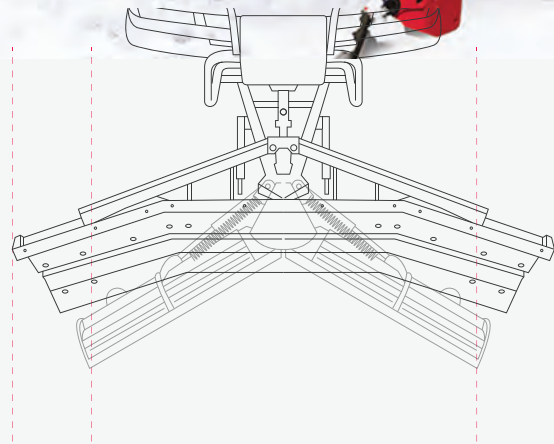
## 6000 Series



- 20° Fixed-angle outer ends
- Conventional plow weight and simplicity
- V-Plow capacity and efficiency
- Fixed-end plow simplicity



The ability of the Hiniker Scoop plow to angle full right or full left for conventional plowing, combined with the outer end's 50-degree forward angle, significantly reduces high-side spillage. The Scoop plow is ideal for parking areas and large lots where high-capacity, high-efficiency plowing is essential.



The Hiniker Scoop's concave shape captures more snow than other plow designs. Its concave design and fixed-end simplicity provides operators an effective and efficient plow for a wide range of applications.

### Specifications:

MODEL	6813	6913
Blade Width (Measured at Trip Pin)	8'	9'
Plow Width @ 31° Angle	83"	93"
Blade Height	30"	30"
Moldboard Surface	¼" HMW Poly	¼" HMW Poly
Vertical Ribs	6	8
Torsion Trip Springs	8	8
Power Angling Rams	1½" x 10"	1½" x 10"
Weight (Net of Truck Mounted Hardware)	749 lb.	803 lb.